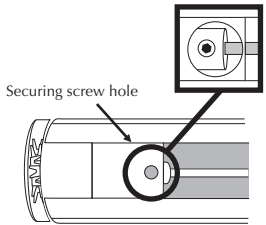


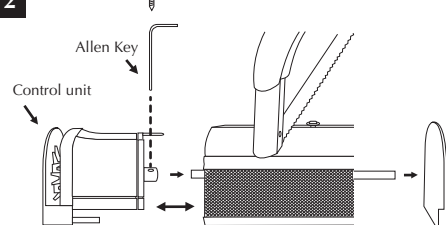
Blind Cassette System & Safety Devices

1



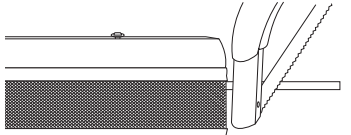
Slide the allen key through the hole left by the securing screw (as shown in figure 2). Loosen the grub screw. If not visible rotate the rod by operating the chain until grub screw is in view.

2



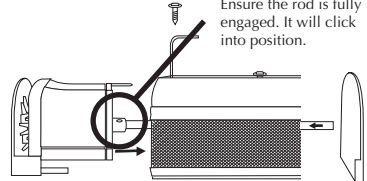
Remove the end cap and push the rod through the headrail just enough to allow you to cut the headrail to your specification.

3



While the rod is visible cut the same length off the rod as removed from the headrail.

4

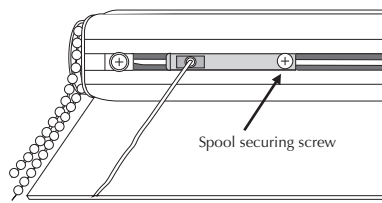


Ensure the rod is fully engaged. It will click into position.

Feed the rod back through the headrail and into the control unit and place the end cap back.

Slide the allen key through the securing hole and tighten the grub screw. Replace the securing screw.

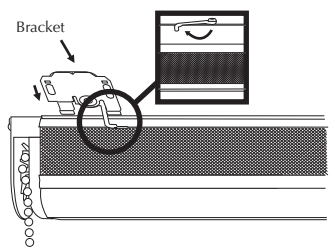
5



Place the headrail onto the roman blind and position the cord spools as required.

Do not overtighten the spool screws.

6



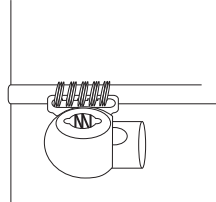
The brackets supplied are suitable for both face fix and top fixing.

Once located on the rail the brackets lock into place by using the lever arm as shown above.

Sew-on Child Safety Toggle - H700ST

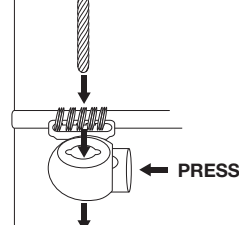
UK patent application number: 1416636.7

1



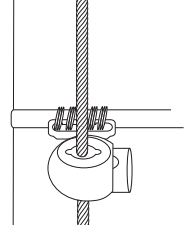
Attach toggles to the lowest contact points on your blind using a strong sewing thread (Gütermann A782 thread). Ensure that these stitches pass behind the rod enclosed within the rod pocket in order to make the toggles secure.

2



Press the spring loaded button to bring the round hole in line with the centre of the toggle body. The lift cords can now be passed through this hole and adjusted to the desired lengths.

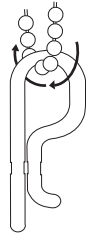
3



Do not tie a knot or singe the ends as they must be able to pass freely through the toggle to remain compliant.

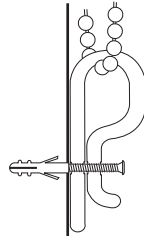
Chain Safety Device - H700CSD

1



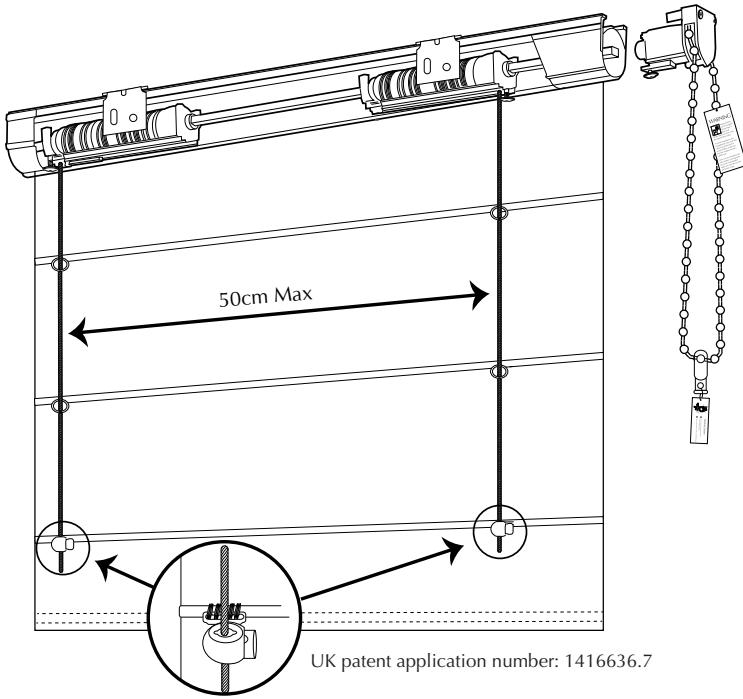
Locate and position the device on an adjacent wall. Slide the chain into the device through the opening at the bottom.

2



Secure the device with a suitable fixing.

Our Blind Systems are tested to British Standards BSEN13120:2009+A1:2014. Each system comes complete with all the labels, safety devices and instructions to make your blinds compliant.



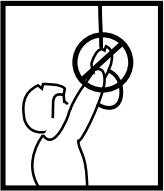
Four simple steps to blind compliance

Jones Interiors Cassette System Check List

- 1 All Warning Labels are attached. ✓
- 2 The Chain is either at least 150cm above the ground and fitted with our Chain Safety Device (H700CSD).
or
The Chain is fitted with our Chain Breaker (H4048CB) and is at least 60cm above the ground. ✓
- 3 The Child Safety Toggles (H700ST) are fitted. ✓

If all the above items are ticked your blind will be compliant with BSEN13120:2009+A1:2014.

WARNING



Young children can be strangled by the loops, pull cords, chains, tapes & inner cords that operate this product.

To avoid strangulation and entanglement, keep cords and chains out of the reach of young children. Cords may become wrapped around a child's neck.

Move cots and furniture away from window covering cords and chains. Do not tie cords together. Make sure cords do not twist and create a loop.

Roman Blind Systems

Our H700 Cassette and H794 Cord Drawn Blind Systems include our new Sew-on Safety Toggle (H700ST) designed and developed by Jones Interiors. This exclusive product allows you the freedom to use Brass Rings (H66), Polycarbonate Rings (H362), or Cording Eyelets (H4031) to utilise your preferred method of manufacture. Each Toggle has a maximum lift capacity of 1kg so please consider the number of cords you might need for any heavy blinds. We recommend a maximum spacing of 50cm between cords. These new Toggles must be sewn to the lowest cord attachment points across the bottom of your blind (see above diagram) - we recommend Güttermann heavy duty core spun thread (A782). We have had all these methods independently tested and verified to BSEN13120:2009+A1:2014.

Operating Chains

Current child safety legislation now demands that we ask you for the installation heights when making your "made to measure" systems as these have a bearing on the maximum continuous chain drops allowable. These chains must then be attached using our chain safety device (H700CSD) to minimise the risk of strangulation. We stress these instructions must be followed in order for your system to remain compliant.

The chain size is not always convenient for every customer so we now offer a chain breaker device H4048CB. This will cause the chain to break within the prescribed maximum load of 6kgs and in turn allows the use of chains down to no less than 60cm from the floor. Please note in these cases you should not install the hold down device supplied with our systems. It does however carry the limitation of not passing through the mechanism so will not operate with our 1:4 geared units. Using our 1:1 or our new 1:2 mechanism will allow the successful operation of the chain breaker providing your chain loop falls to the same drop as your Roman Blind when fully lowered.

For those customers preferring the security of using continuous chains only, we now offer a much wider range of shorter drop sizes for your convenience. Please see pages 216 for full details in our Product Guide 8.